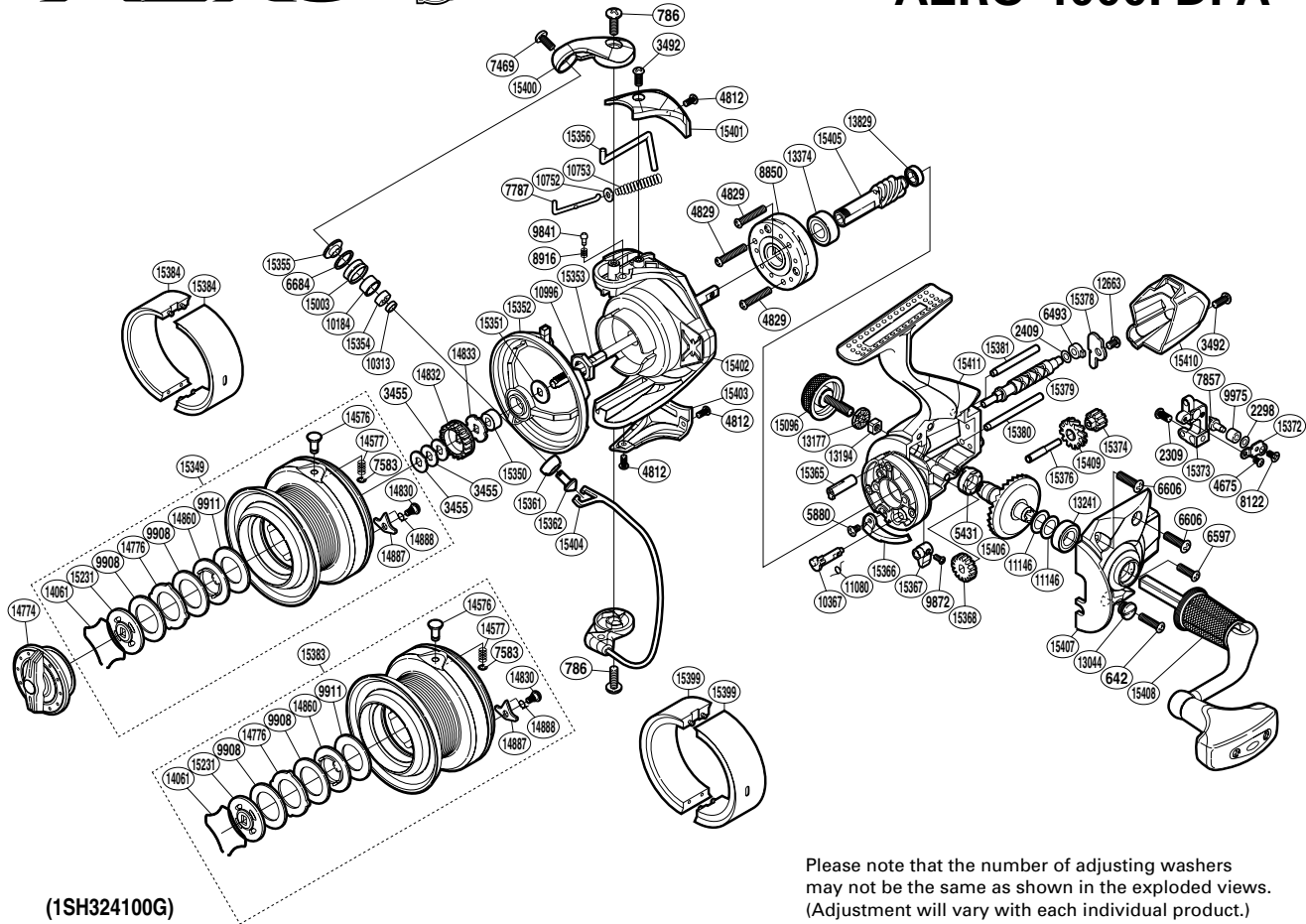


SHIMANO

AERO S A-RB

AERO-4000FDFA



Please note that the number of adjusting washers may not be the same as shown in the exploded views. (Adjustment will vary with each individual product.)

| Part No. | Description | Part No. | Description | Part No. | Description |
|----------|-----------------------------|----------|--------------------------|----------|--------------------------------|
| RD 0642 | Screw | RD10753 | Bail Spring | RD15356 | Bail Trip Lever |
| RD 0786 | Screw | RD10996 | Rotor Nut | RD15361 | Line Roller Support Cover |
| RD 2298 | Spacer | RD11080 | Anti-Reverse Cam Spring | RD15362 | Line Roller Support |
| RD 2309 | Screw | RD11146 | Washer | RD15365 | Worm Bushing (front) |
| RD 2409 | Spacer | RD12663 | Screw | RD15366 | Bail Trip Strike |
| RD 3455 | Spool Washer | RD13044 | Oil Cap | RD15367 | Anti-Reverse Lever |
| RD 3492 | Screw | RD13177 | Handle Screw Cap Spacer | RD15368 | Idle Gear |
| RD 4675 | Screw | RD13194 | Handle Screw Lock | RD15372 | Oscillating Pawl Cover |
| RD 4812 | Screw | RD13241 | Ball Bearing | RD15373 | Oscillating Slider |
| RD 4829 | Screw | RD13374 | Ball Bearing | RD15374 | Idle Gear B (small) |
| RD 5431 | Drive Gear Bushing | RD13829 | Ball Bearing | RD15376 | Idle Gear B Shaft |
| RD 5880 | Screw | RD14061 | Drag Washers Retainer | RD15378 | Worm Shaft Retainer |
| RD 6493 | Worm Bushing (rear) | RD14576 | Line Clip | RD15379 | Worm Shaft |
| RD 6597 | Screw | RD14577 | Line Clip Spring | RD15380 | Oscillating Guide A |
| RD 6606 | Screw | RD14774 | Drag Knob | RD15381 | Oscillating Guide B |
| RD 6684 | Line Roller Spacer | RD14776 | Eared Washer | RD15400 | Bail Arm |
| RD 7469 | Screw | RD14830 | Screw | RD15401 | Bail Spring Cover |
| RD 7583 | E Lock | RD14832 | Spool Support A | RD15402 | Rotor |
| RD 7787 | Bail Spring Guide A | RD14833 | Spool Support B | RD15403 | Bail Hold Support Guard |
| RD 7857 | Oscillating Pawl | RD14860 | Key Washer | RD15404 | Bail Assembly |
| RD 8122 | Screw | RD14887 | Drag Click | RD15405 | Pinion Gear |
| RD 8850 | Roller Clutch Assembly | RD14888 | Click Spring | RD15406 | Drive Gear |
| RD 8916 | Click Spring | RD15003 | Line Roller | RD15407 | Side Cover |
| RD 9841 | Click Pin | RD15096 | Handle Screw Cap | RD15408 | Handle Assembly |
| RD 9872 | Screw | RD15231 | Key Washer | RD15409 | Idle Gear B (large) |
| RD 9908 | Drag Washer | RD15349 | Spool Assembly | RD15410 | Rear Protector |
| RD 9911 | Drag Washer | RD15350 | Line Safety Guard Spacer | RD15411 | Body |
| RD 9975 | Oscillating Slider Bushing | RD15351 | Line Safety Guard Washer | | |
| RD10184 | Line Roller Bushing | RD15352 | Line Safety Guard | RD15383 | Spare Spool Assembly |
| RD10313 | Bearing Spacer | RD15353 | Main Shaft | | |
| RD10367 | Anti-Reverse Cam | RD15354 | Line Roller Collar | RD15384 | Spool Economizer S (accessory) |
| RD10752 | Bail Spring Guide A Support | RD15355 | Line Roller Washer | RD15399 | Spool Economizer M (accessory) |